

Project: _____
 Product: _____
 Notes: _____

Description

Edison Lighting Supply's LED Linear T8 8ft lamps is a reliable choice for retrofitting traditional T8 or T12 fluorescent system, maximizes energy saving with high efficacy performance. Our triple play technology is compatible with or without the ballast and both single and double ended power to fit shunted or un-shunted sockets.

Features:

- Etherium Chips
- Integrated Driver
- Triple Play (A and B, Single and/or double ended power)
- Operating Temperature -20°C To 40°C
- Suitable For Damp Locations
- L70 Lumen Maintenance Of 100,000 Hours
- 5 Year Limited Warranty / 50,000 Hours

Ordering Guide:

Series	Form Factor	Socket	CCT
T8 - One Inch	8F - 8 Feet	BA - FA8 End Cap	4000K
		BB - R17D End Cap	5000K



ETHERIUM



Application

A wide variety of utility applications including retail shops, schools, hospitals, offices buildings and various commercial applications.

Construction

8ft T8 lamps are composed of a shatter resistant polycarbonate lens backed by a high gauge aluminum housing. Our internal drivers are compatible with most ballasts or can be direct wired, by-passing the ballast. Works with shunted or non-shunted sockets for easy installation.

Electrical & Operations

T8 lamp is universal voltage (120-277V) Capable of step dimming with certain ballasts. Can operate in temperatures -20°C to 40°C. LED Lamp utilizes top of the line high-efficacy LED packages that maintain maximum light output and heat dissipation to save money while extending the lifespan.

Warranty

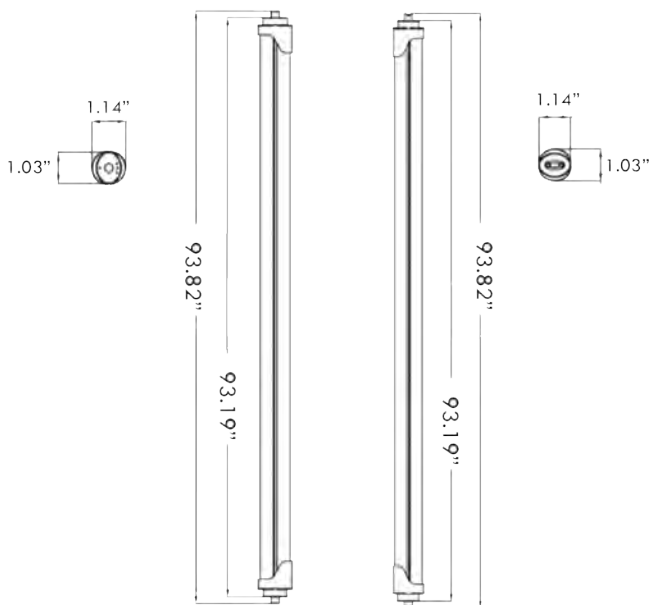
7 year warranty with a 75,000 hour rated L70. See warranty documentation for more detail information.

Carton Dimensions

Model	Carton	Weight	Pieces Per Box
8 Foot Tube	97" x 9" x 4"	26 lbs	10 Pieces Per Box

FA8

R17D



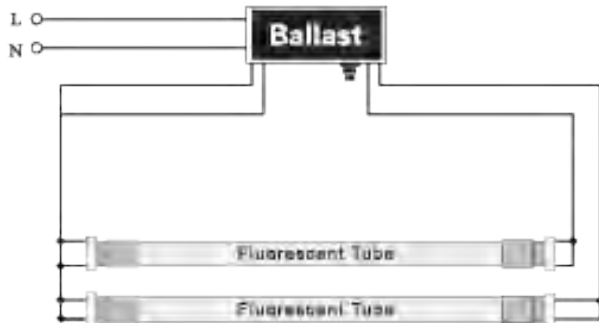
PERFORMANCE DETAILS

Socket	Catalog	Rated Wattage	Efficacy	Total Lumens	THD	CRI	PF
FA8	ETH-T8-8FBA	40W	131 lm/W	5240	<15%	80	>0.9
R17D	ETH-T8-4FBB	40W	131 lm/W	5240	<15%	80	>0.9

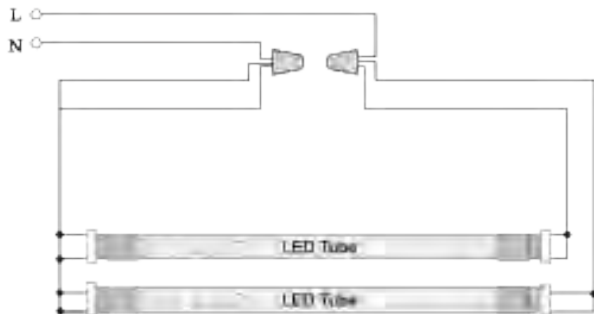
Wiring Diagram

DIRECT INSTALL DOUBLE-ENDED CONNECTION

BEFORE LED TUBE INSTALLATION

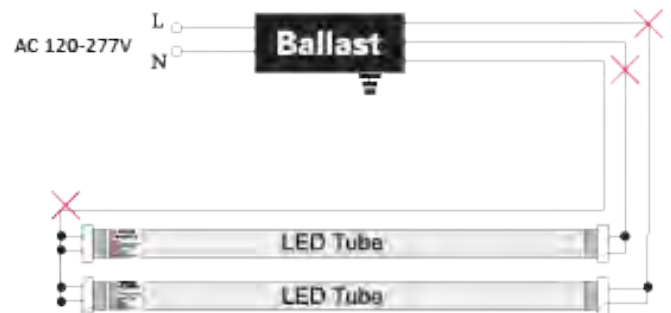


AFTER LED TUBE INSTALLATION



DIRECT INSTALL SINGLE-ENDED CONNECTION

CUT THE WIRES AS SHOWN IN THE DIAGRAM



MAKE THE NEW WIRE CONNECT TO
BRANCH CIRCUIT



YOU CAN USE EITHER END TO MAKE
SINGLE ENDED CONNECTION.